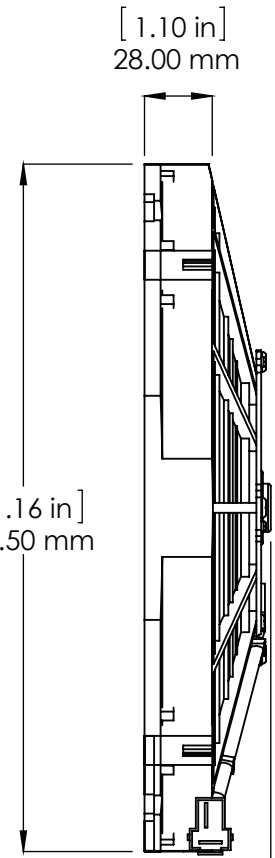
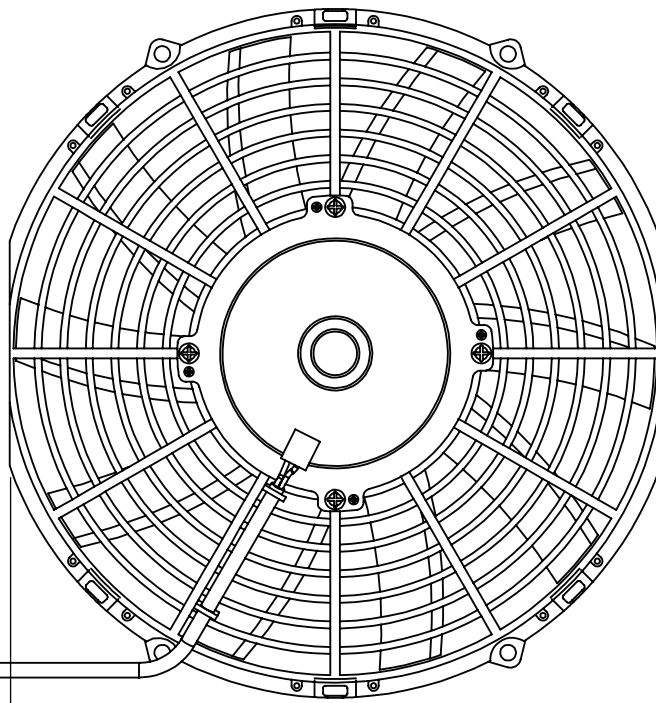
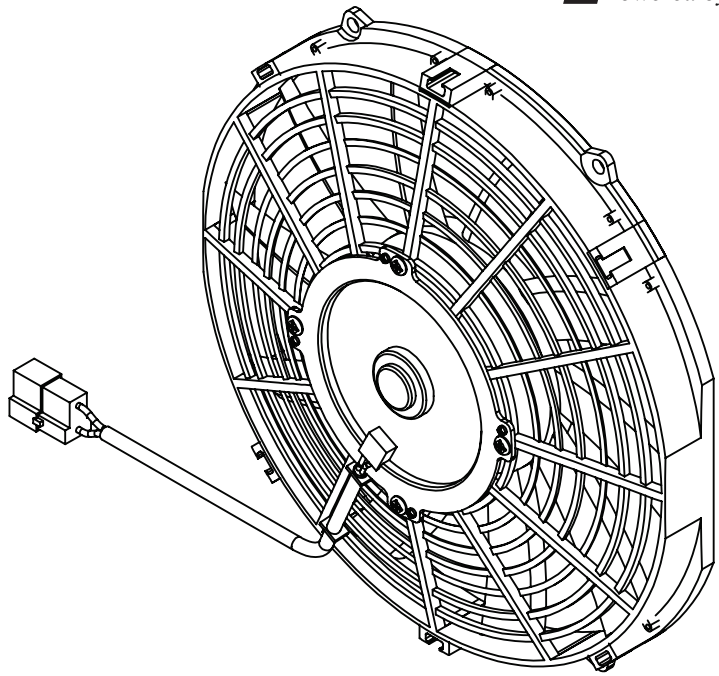


# Turbo Series

Powered by Champion Cooling

## STAGE 2 - 10"



**Part No.: TSK10CBLP**

**AIRFLOW**  
→

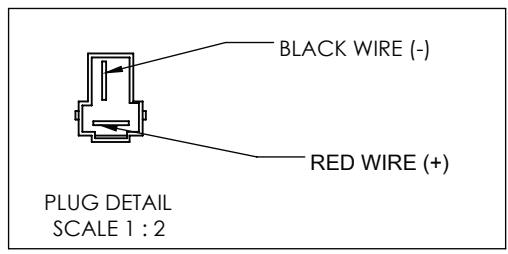
[ 10.55 in ]  
268.0 mm

[ 11.16 in ]  
283.50 mm

[ 1.10 in ]  
28.00 mm

[ 2.05 in ]  
52.00 mm

Ip68 MOTOR WATERPROOF AND LOW NOISE PERFORMANCE DATA			
AIR FLOW (CFM)	CURRENT (A)	AIR FLOW (m <sup>3</sup> /h)	STATIC PRESSURE
962	8.7	1634	0



**Champion Cooling Systems**  
32373 Corydon Street  
Lake Elsinore, CA 92530  
(P) 951/245-9464  
(F) 951/245-9465  
[www.ChampionCooling.com](http://www.ChampionCooling.com)