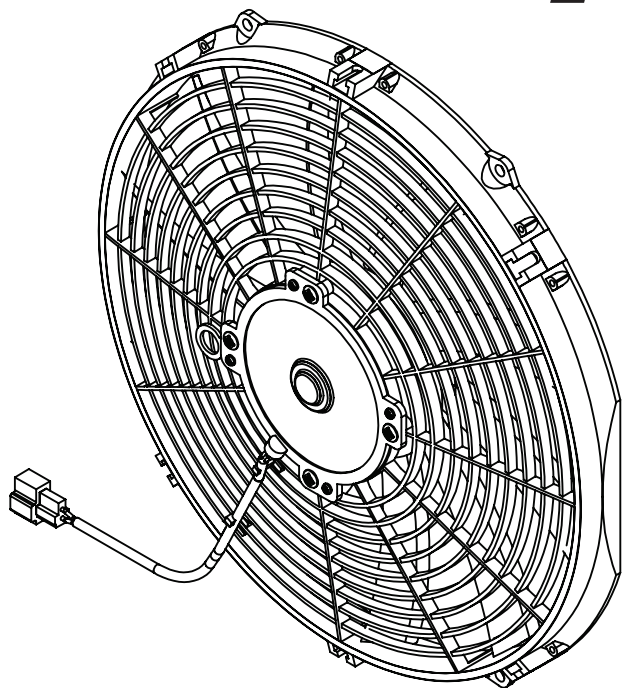


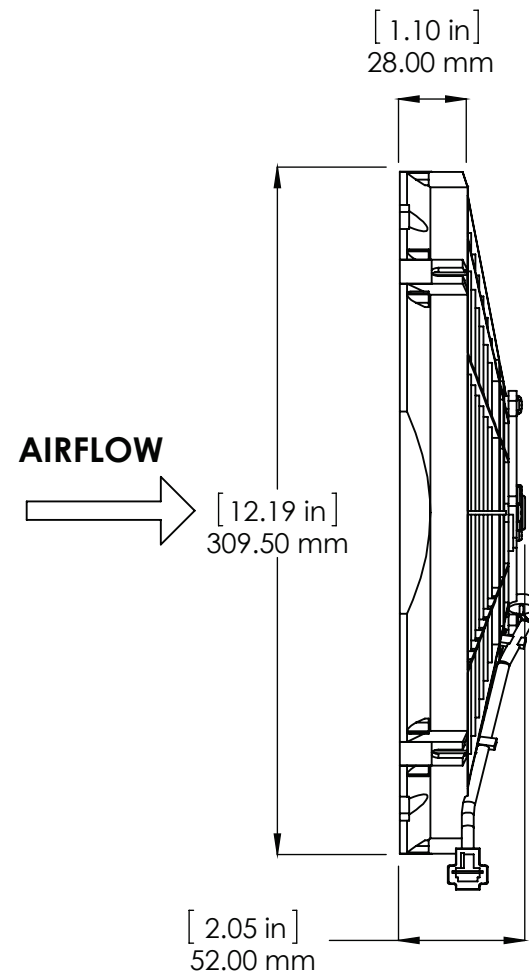
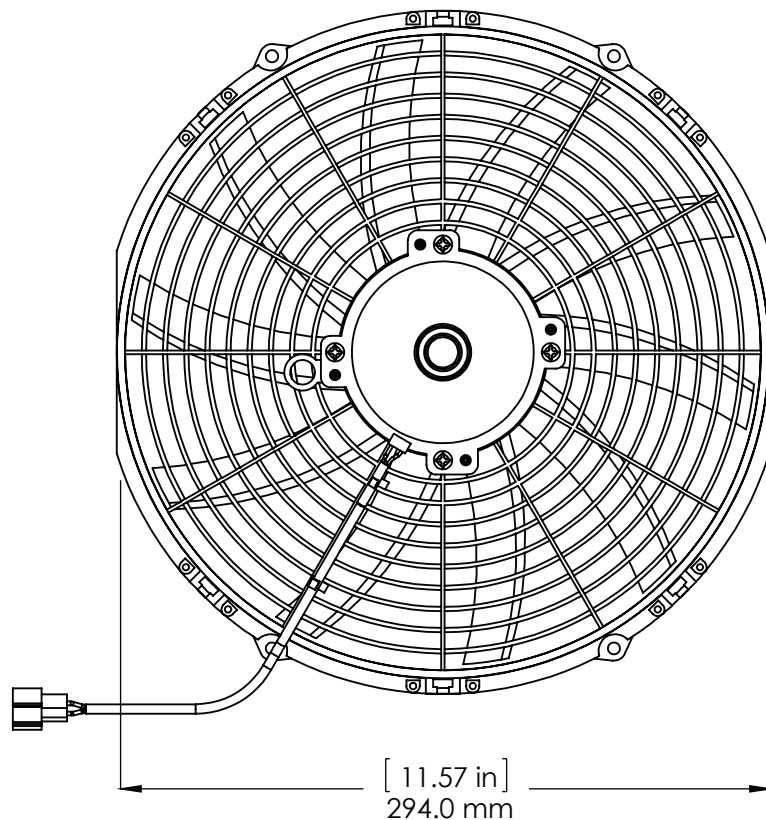
# Turbo Series

Powered by Champion Cooling

## STAGE 2 - 12"

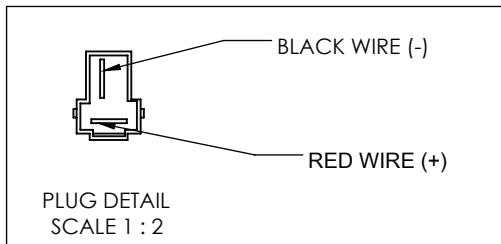


Part No.: TSK12CBLP



**Ip68 MOTOR**  
**WATERPROOF AND LOW NOISE**  
**PERFORMANCE DATA**

AIR FLOW (CFM)	CURRENT (A)	AIR FLOW (m <sup>3</sup> /h)	STATIC PRESSURE
1031	9	1751	0



**Champion Cooling Systems**  
32373 Corydon Street  
Lake Elsinore, CA 92530  
(P) 951/245-9464  
(F) 951/245-9465  
[www.ChampionCooling.com](http://www.ChampionCooling.com)