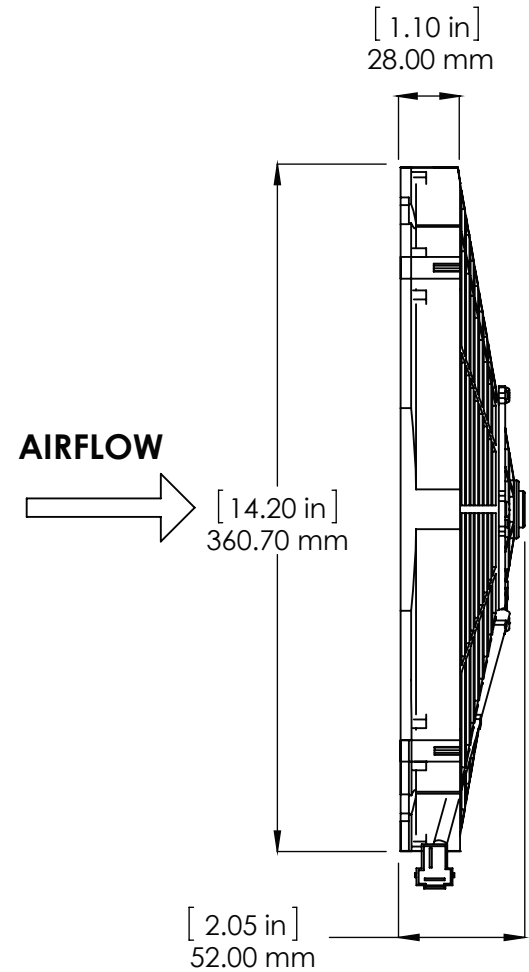
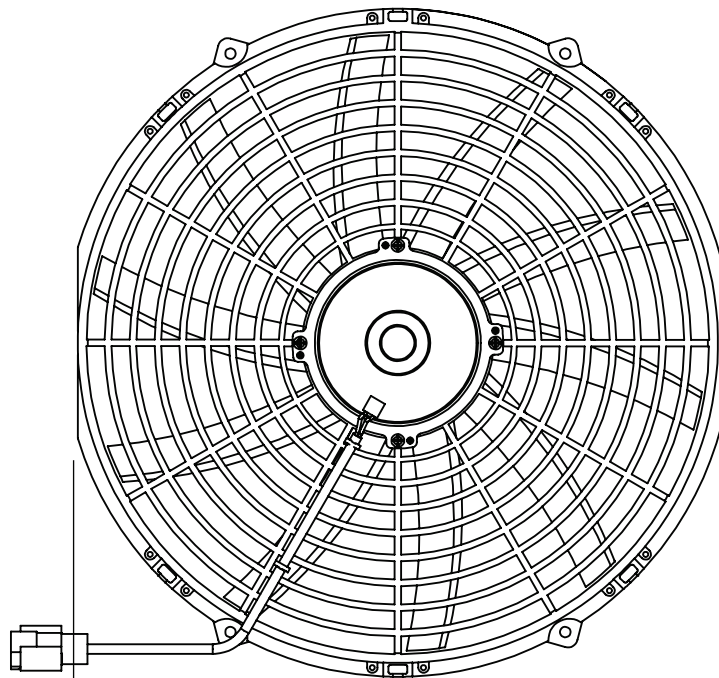
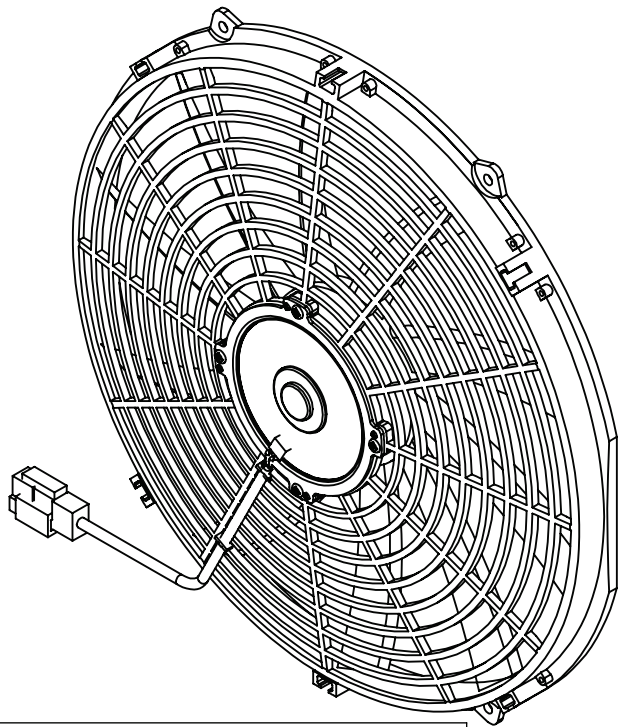


# Turbo Series

Powered by Champion Cooling

## STAGE 2 - 14"

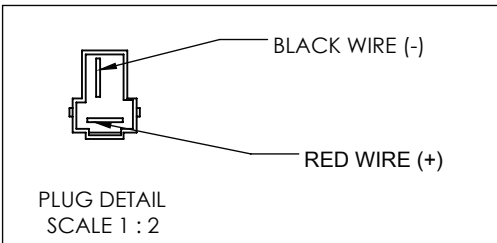


Part No.: TSK14CBLP

[ 13.56 in ]  
344.0 mm

**Ip68 MOTOR**  
**WATERPROOF AND LOW NOISE**  
**PERFORMANCE DATA**

| AIR FLOW (CFM) | CURRENT (A) | AIR FLOW (m <sup>3</sup> /h) | STATIC PRESSURE |
|----------------|-------------|------------------------------|-----------------|
| 1727           | 14.2        | 2935                         | 0               |



**Champion Cooling Systems**  
32373 Corydon Street  
Lake Elsinore, CA 92530  
(P) 951/245-9464  
(F) 951/245-9465

[www.ChampionCooling.com](http://www.ChampionCooling.com)