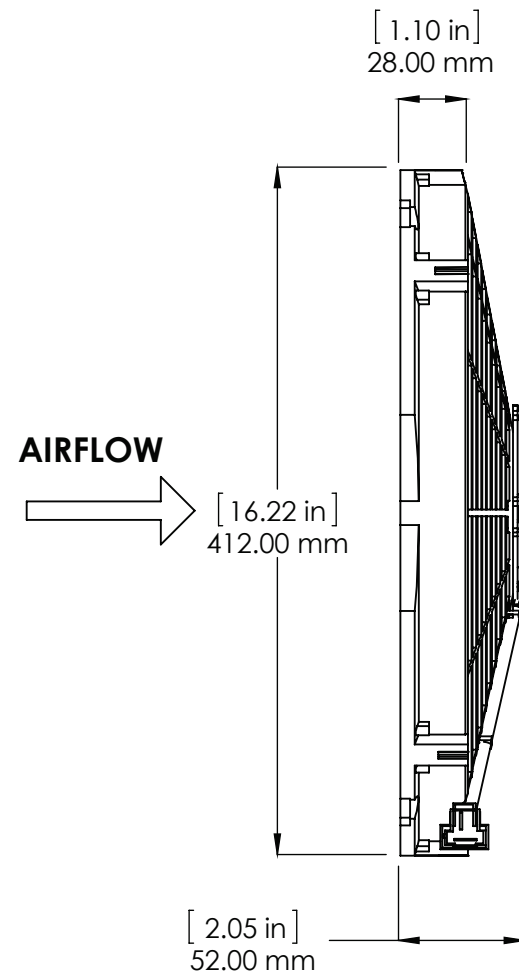
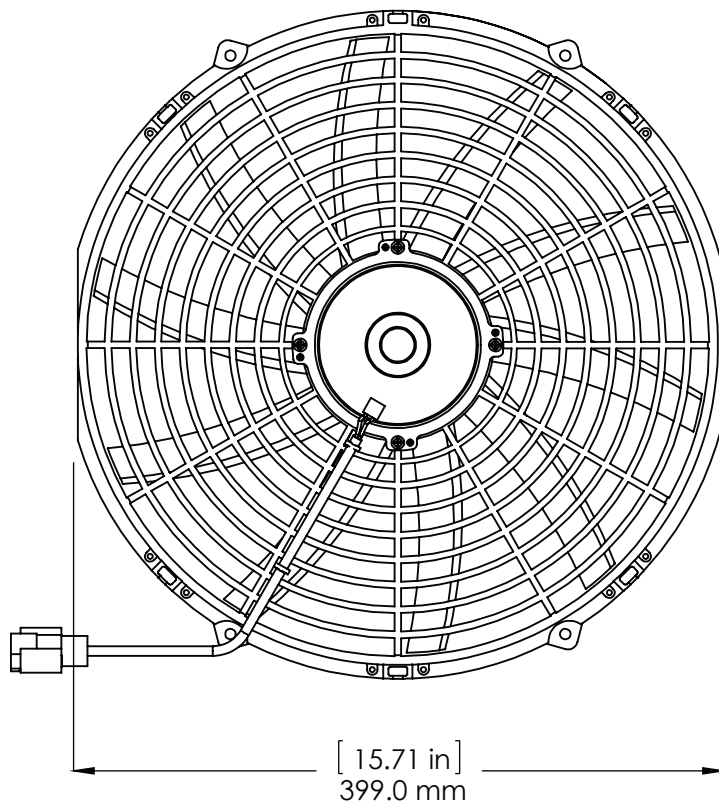
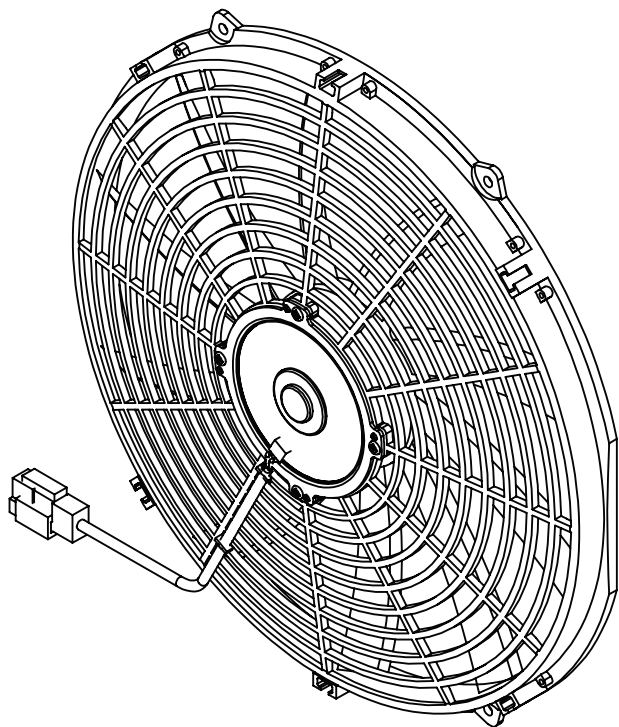


Turbo Series

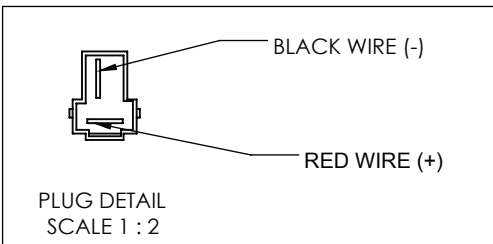
Powered by Champion Cooling

STAGE 2 - 16"



Part No.: TSK16CBLP

Ip68 MOTOR WATERPROOF AND LOW NOISE PERFORMANCE DATA			
AIR FLOW (CFM)	CURRENT (A)	AIR FLOW (m ³ /h)	STATIC PRESSURE
2139	14.2	3635	0



Champion Cooling Systems
 32373 Corydon Street
 Lake Elsinore, CA 92530
 (P) 951/245-9464
 (F) 951/245-9465
www.ChampionCooling.com